



SMD CRYSTAL UNITS

◆ SMD3225 Series 3.2*2.5 Seam Sealing Crystal



FEAYURES

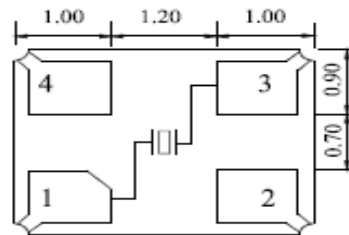
- Compact and thin (3.2*2.5*0.75mm max)
- Excellent electrical performance, ideal for OA (office automation), AV (audiovisual), Bluetooth and Wireless LAN applications
- Excellent hrat resistance and shock resistance.
- Lead-free. Meets the requirements for re-flow profiling using leadfree solder

◆ 标准规格 Electrical Specific

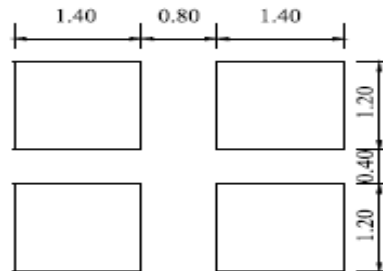
Item	Typ	SMD3225				
		8-11.999MHz	12-19.999MHz	20-23.999MHz	24-64.000MHz	64-115.000MHz
频率范围 Frequency Range (Fo)		8-11.999MHz	12-19.999MHz	20-23.999MHz	24-64.000MHz	64-115.000MHz
振动模式 Mode of Vibration		Fundamental				3RD
负载电容 Load Capacitance (CL)		6-20pF				
调整频差 Frequency Tolerance $\Delta F/F_0$		$\pm 10\text{ppm}, \pm 20\text{ppm}, \pm 30\text{ppm}$ (At 25°C)				
等效电阻 Equivalent Series Resistance ESR		150Ω max	100Ω max	70Ω max	50Ω max	100Ω max
温度频差 Temperature Stability (TC)		$\pm 10\text{ppm}, \pm 20\text{ppm}, \pm 30\text{ppm}$ (At 25°C)				
工作温度 Operating Temperature Range		-20~+70°C, -40~+85°C Option				
贮存温度 Storage Temperature Range Tst		-55~+125°C				
静态电容 Shunt Capacitance (Co)		3pF max.				
绝缘电阻 Insulator Resistance (IR)		500MΩ min. (At 100VDC)				
激励功率 Drive level (DL)		100μW (200μW max)				
年老化率 Aging (Fa)		$\pm 2\text{ppm max.}$ (At 25°C, First year)				
最小包装 Packing Unit		3000pcs/reel				

**Please contact us for inquiries regarding other Specificatinos

◆ 标准规格 Mechanical Dimensions (mm)



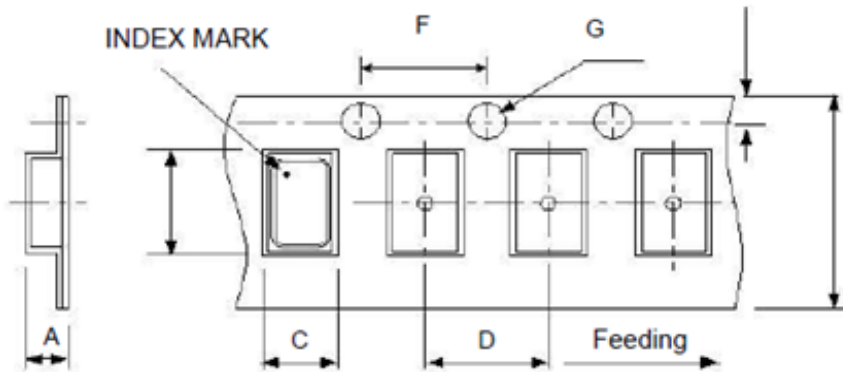
Recommended Solder Pattern





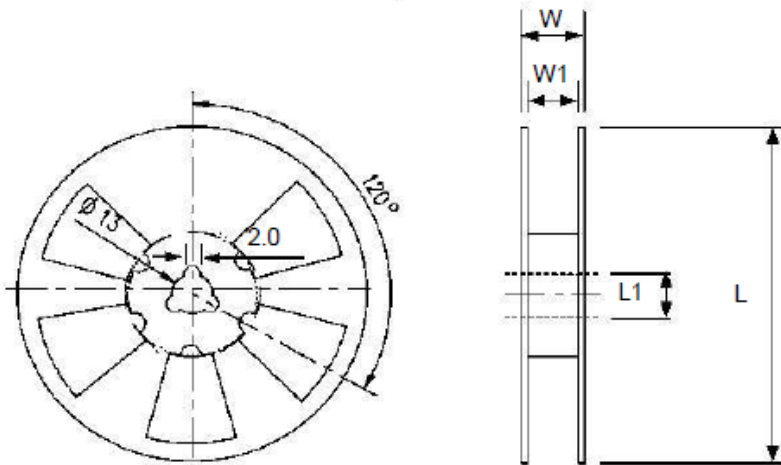
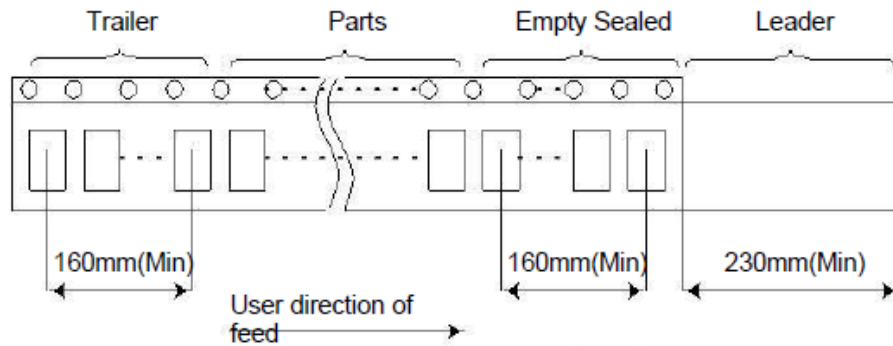
PACKAGE

■ Packing



DIMENSIONS	A	B	C	D	E	F	G	H	(UNIT :
	1.40	3.40	2.70	4.00	8.00	4.00	1.50	1.75 mm)	

REMARK :



DIMENSIONS	L	L1	W	W1	pcs / Reel (UNIT : mm)
	178	13	11.5	8	Standard Reel Quantity is 3,000 pcs per reel